

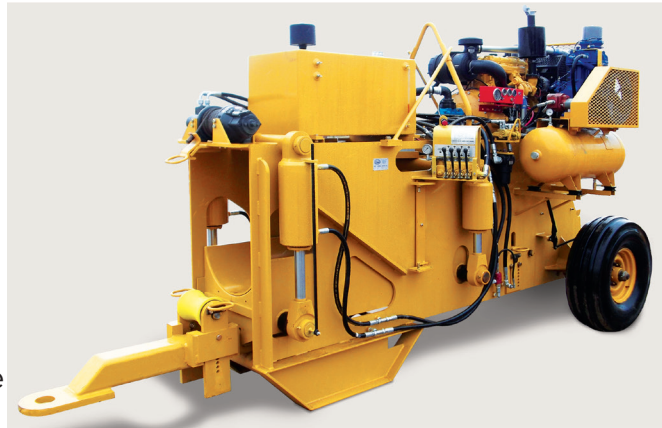


PIPE BENDING MACHINE

STANDARD 6" - 20"

Design Features

- T1 Steel body construction for long life and extra strength
- Calibrated Indicator Rod for precise repeatable pipe bends
- Single operator control station for all functions
- PTFE sealing system in all cylinders
- Designed to bend all grades of API-5L pipe within its range
- Easily towed on the right of way by a suitable tractor
- Towing eye can be raised and lowered by actuating the Stiffback controls
- Hydraulic Mandrel connections with 3/8" quick disconnect couplings
- Extended to incorporate ease of loading and unloading pipe
- Featuring "Peak-A-Boo" hole for visual inspection of pipe



HYDRAULICS

	BORE (IN)	STROKE (IN)	ROD (IN)
InBoard Cylinder	7	6	2.25
OutBoard Cylinder	7	14	6
Pin Up Cylinder	4	23	2.25
Clamp Cylinder			
Pump Type	Vane, Fix Volume		
Pump Flow	24 gpm		
Valve Type	Manual, 4 Section		
Filtration	3 Micron, Pressure Line		
Hydraulic System Max Operating Pressure	3000 psig		
Hydraulic Reservoir	50 gal	187.5 L	

Disclaimer:

Technical information provided for this equipment regarding performance, specifications, dimension and weights can vary depending on final configuration of the equipment. Please contact DMI International for actual specifications at time of shipment.

DMI International does not accept responsibility for errors regarding the technical information, nor the consequences of any errors, nor the consequences to changes in the specifications contained herein. DMI International reserves the right to modify the equipment performance and specifications without notice.

15615 E. Pine St. • Tulsa, Oklahoma USA 74116 • Phone 918-483-2213 • Fax 918-438-2061

sales@dmiinternational.com • www.dmiinternational.com

#4009806E

PIPE BENDING CAPACITY

	Dia (in)
Minimum	6.625
Maximum	20

SPECIFICATIONS

Length	15'-3"	4,648 mm
Width	5'-10"	1,778 mm
Height	8'-4"	2,540 mm
Weight (lbs/kg)	11,050 lbs	5,012 kg
Pneumatic Tire Size	11.0 x 16	
Track Size	10 Ton	

ENGINES

Perkins Diesel	67	hp
Operating Speed	2200	rpm
Fuel Tank	15	gal

COMPRESSOR

Manufacturer	Quincy QR-325
Drive Type	Hydraulic Motor
Pressure	210 psig
Flow	17.4 acfm @ 175 psig

WINCH

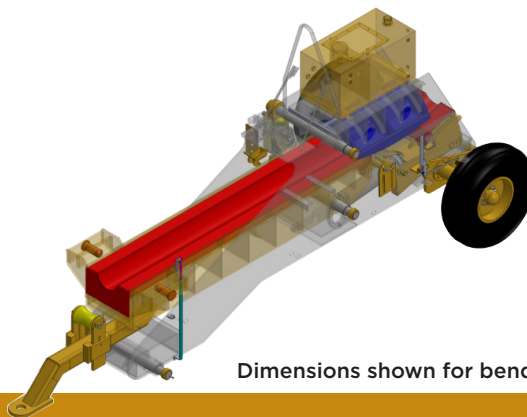
Manufacturer	Ramsey
Drive Type	Hydraulic Motor
Pulling Force	10,000 lbf
Cable Diameter	.4375"
Free Wheeling Drum	

OPTIONS AVAILABLE

- Caterpillar C4.4 Tier 3 Diesel Engine (Export Only)
- Hydraulic driven air compressors
- Low fuel level indicator
- Working and warning lights
- Tires or Tracks
- Two Stage Pump
- Cold weather operating kit (-40°) available

STANDARD 6" - 20" LINED BENDING SETS

SIZE	WEIGHT	
	lb	kg
6"	1240	563
8"	1280	581
10"	1200	544
12"	1200	544
14"	1440	653
16"	1280	581
18"	1550	703
20"	1175	533



Dimensions shown for bending sets are shipping dimensions.

SPECIFICATIONS FOR STANDARD 6" - 20" LINED BENDING SETS

		LENGTH		WIDTH		HEIGHT	
		in	mm	in	mm	in	mm
Standard 6 - 20	Stiffback	85.5	2172	21.25	540	10	254
	Pin Up	13.25	337	21.25	540	10	254
	Die	41	1041	24	610	16	406

NOMINAL PIPE O.D.

MAXIMUM WALL THICKNESS BY GRADE

RECOMMENDED BEND

IN/MM	X52	X60	X65	X70	X80	X100	DEGREE PER ARC FOOT	RADIUS FEET	MAXIMUM 40 FOOT JOINT
20/508	0.627	0.550	0.511	0.477	0.421	0.341	0.90	69	27.00
18/457	0.785	0.688	0.638	0.595	0.525	0.424	1.10	52	33.00
16/406	1.025	0.894	0.828	0.771	0.678	0.545	1.50	38	45.00
14/356	1.435	1.240	1.143	1.059	0.925	0.738	1.70	34	51.00
12.75/324	1.900	1.616	1.478	1.362	1.178	0.927	2.30	25	69.00
10.75/273	-	-	-	-	-	1.532	2.80	20	84.00
8.625/219	-	-	-	-	-	-	3.80	15	114.00
6.625/168	-	-	-	-	-	-	4.50	13	135.00